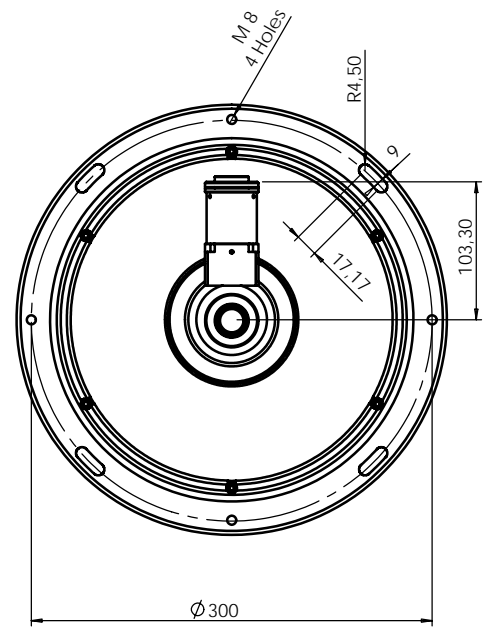
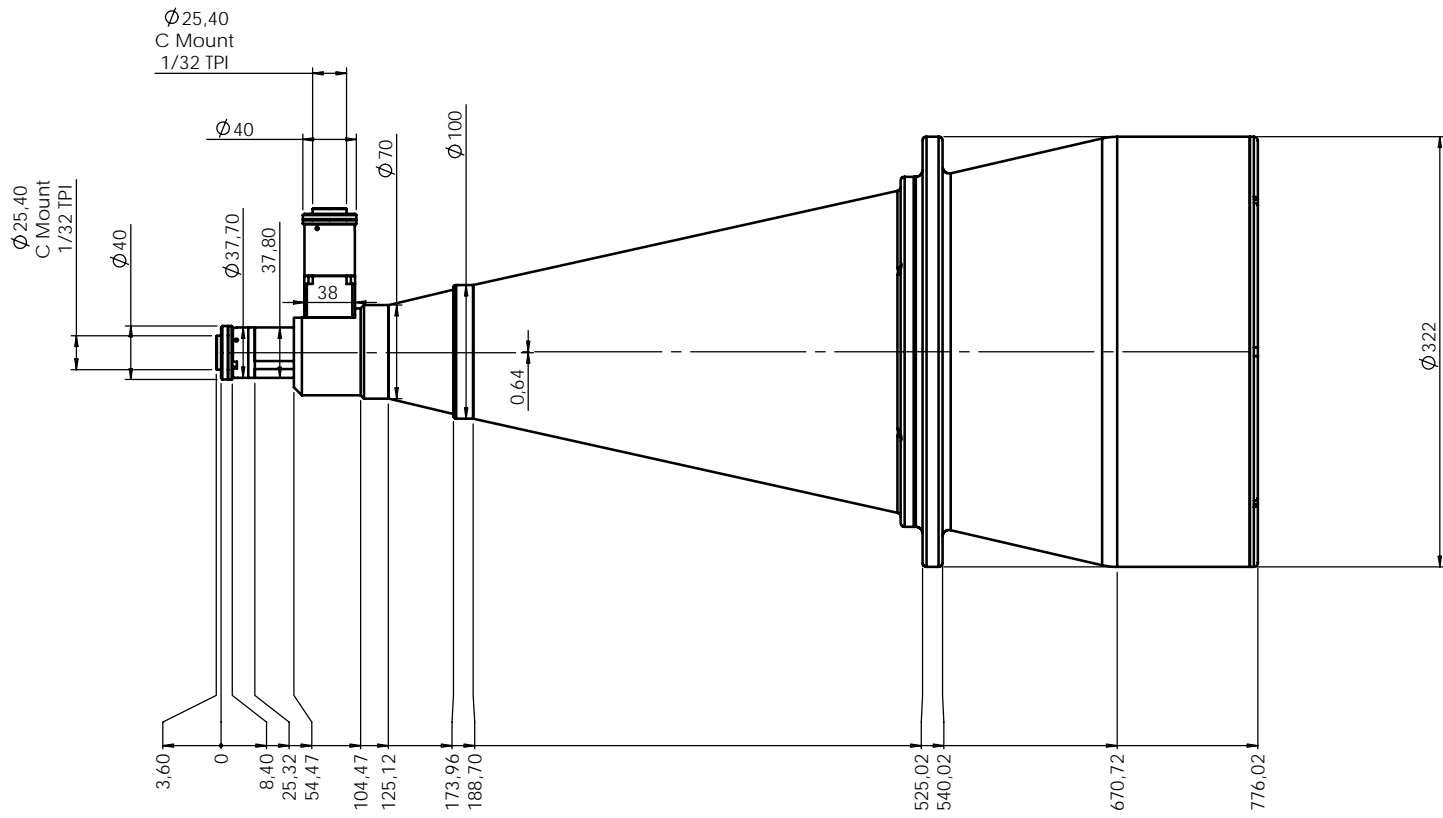


Rev No.	Description	Date	Name
A	Layout	14/12/11	A. Bnà



Material	N.A.		Mass	19.2 Kg.	Scale	1:4																																					
Surface treatment	N.A.		Project-Prod Item/Instrument TCDP 2X 240																																								
Geometrical tolerance (ISO 2768-2)			Description		Drawing No. 16319-0-A																																						
<table border="1"> <tr> <th colspan="7">Linear tolerance (ISO 2768-2)</th> <th>Class</th> <th>K</th> <th rowspan="2">Undimensioned bevels</th> <th rowspan="2">1x45°</th> <th rowspan="2">Undimensioned radii</th> <th rowspan="2">R 0.5</th> </tr> <tr> <th>0.5</th> <th>>3-</th> <th>>6-</th> <th>>30-</th> <th>>120</th> <th>>400-</th> <th>>1000</th> <th>>2000</th> <th>>4000</th> </tr> <tr> <td>±3</td> <td>±6</td> <td>±12</td> <td>±30</td> <td>±120</td> <td>±400</td> <td>±1000</td> <td>±2000</td> <td>±4000</td> </tr> <tr> <td>±0.1</td> <td>±0.1</td> <td>±0.2</td> <td>±0.3</td> <td>±0.5</td> <td>±0.8</td> <td>±1.2</td> <td>±2</td> <td>±2</td> </tr> </table>			Linear tolerance (ISO 2768-2)							Class	K	Undimensioned bevels	1x45°	Undimensioned radii	R 0.5	0.5	>3-	>6-	>30-	>120	>400-	>1000	>2000	>4000	±3	±6	±12	±30	±120	±400	±1000	±2000	±4000	±0.1	±0.1	±0.2	±0.3	±0.5	±0.8	±1.2	±2	±2	TCDP 2X 240
Linear tolerance (ISO 2768-2)							Class	K	Undimensioned bevels	1x45°	Undimensioned radii					R 0.5																											
0.5	>3-	>6-	>30-	>120	>400-	>1000	>2000	>4000																																			
±3	±6	±12	±30	±120	±400	±1000	±2000	±4000																																			
±0.1	±0.1	±0.2	±0.3	±0.5	±0.8	±1.2	±2	±2																																			
		Date	Name		Drawing No.																																						
Designed		14/12/11	A. Bnà		16319-0-A																																						
Draw		14/12/11	A. Bnà		1/1																																						
Checked		X	C. Sedazzari		Reproduction forbidden without specific authorization																																						
OPTO ENGINEERING S.r.l. - 46100 Mantova Italy - Via Cremona, 29/2 - Tel +39 0376 263525 - e-mai: info@opto-engineering.com - http://www.opto-engineering.com																																											