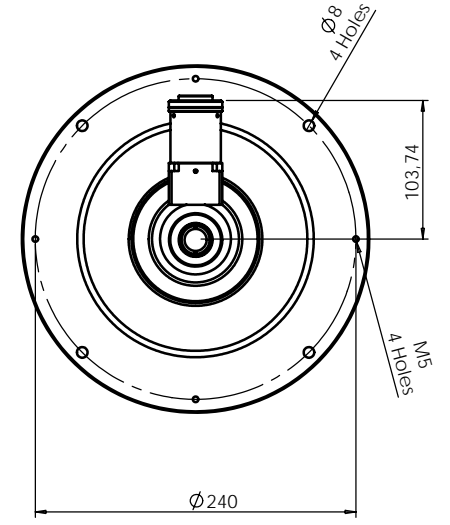
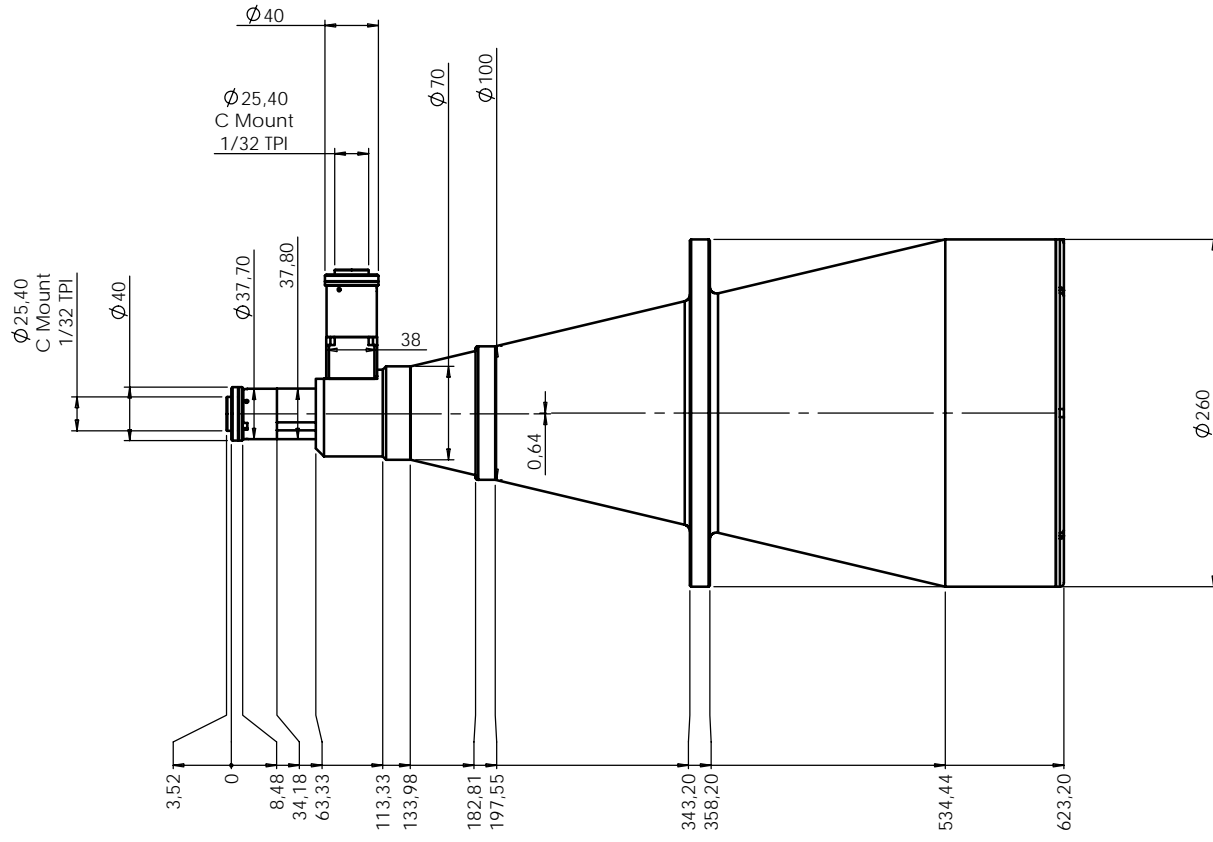


Rev No.	Description	Date	Name
A	Layout	14/12/11	A. Bnà



Material	N.A.			Mass	12.1 Kg.	Scale	1:4	
Surface treatment	N.A.			Project-Prod Item/Instrument TCDP 2X 192				
Geometrical tolerance (ISO 2768-2)			Class	K	Undimensioned bevels	1x45°	Description TCDP 2X 192 Layout	
Linear tolerance (ISO 2768-2)			Class	m				Undimensioned radii
0.5 +3	>3- 6	>6- 30	>30- 120	>120 +400	>400- 1000	>1000 +2000	>2000 +4000	
±0.1	±0.1	±0.2	±0.3	±0.5	±0.8	±1.2	±2	
			Date	Name		Drawing No.		
			Designed	14/12/11	A. Bnà		16317-0-A	Sheet 1/1
			Draw	14/12/11	A. Bnà			
Checked	X	C. Sedazzari		Reproduction forbidden without specific authorization				
OPTO ENGINEERING S.r.l. - 46100 Mantova Italy - Via Cremona, 29/2 - Tel +39 0376 263525 - e-mai: info@opto-engineering.com - http://www.opto-engineering.com								