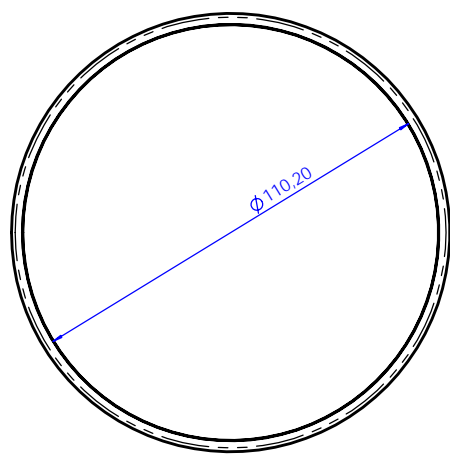
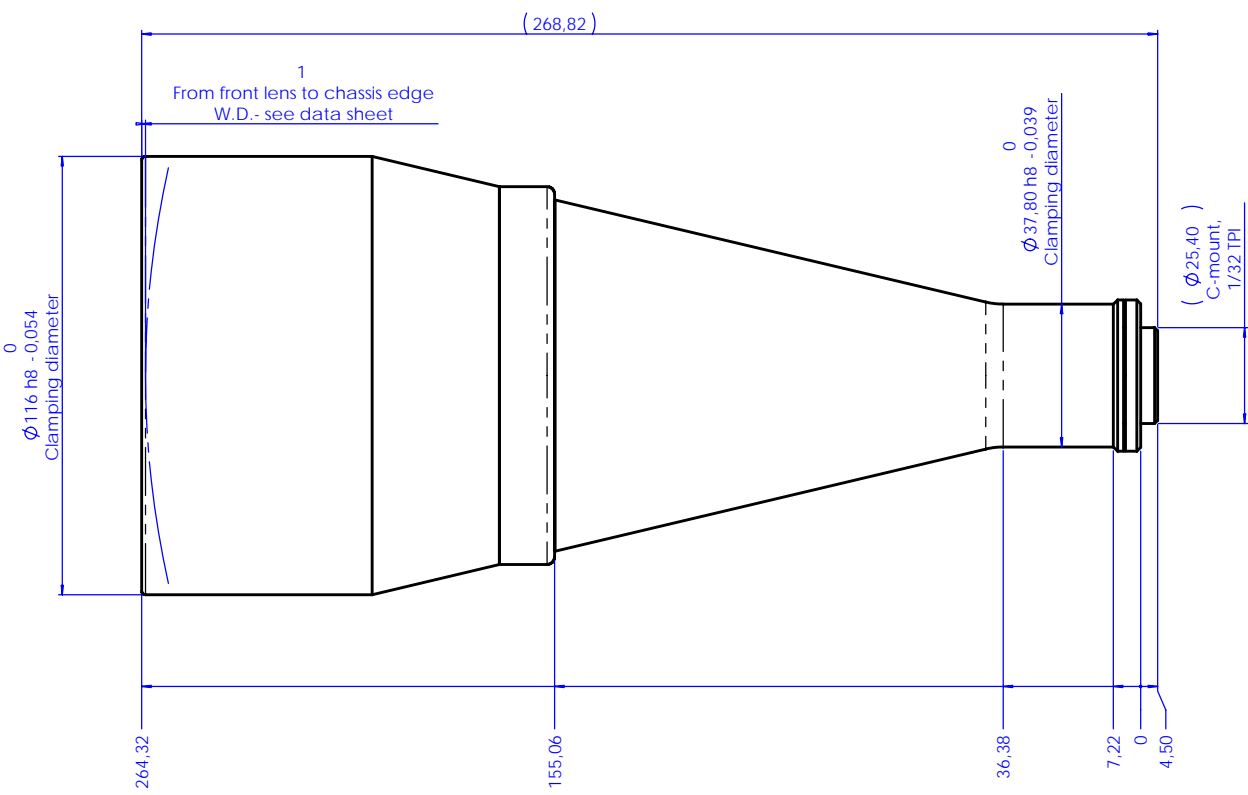


Rev No.	Description	Date	Name
A	First light	09/05/08	A.Vismara



Material	N.A.	Mass	1.56 kg	Scale	1:1
Surface treatment	N.A.	Project-Prod.Item/Instrument		Telecentric lens UV 12 80	
Geometrical tolerance (ISO 2768-2)		Class	K	Undimensioned Bevels	1x45°
Linear tolerance (ISO 2768-2)		Class	m	Undimensioned Radii	R 0.5
0.5	>3-	>6-	>30-	>120	>400-
-3	6	30	120	400	1000
±0.1	±0.1	±0.2	±0.3	±0.5	±0.8
		Class	M	Undimensioned chamfers	±2
		Class	L	Undimensioned chamfers	±1.2
www.opto-engineering.com		Date	Name		
Designed		09/05/08	A.Vismara		
Draw		09/05/08	A.Vismara		
Checked		x	C.Sedazzari		
Drawing No.		02630-0-A		Sheet 1/1	
OPTO ENGINEERING S.r.l. - 46100 Mantova Italy - Via Cremona, 29/2 - Tel. +39 0376 263565 - e-mail: info@opto-engineering.com - http://www.opto-engineering.com					