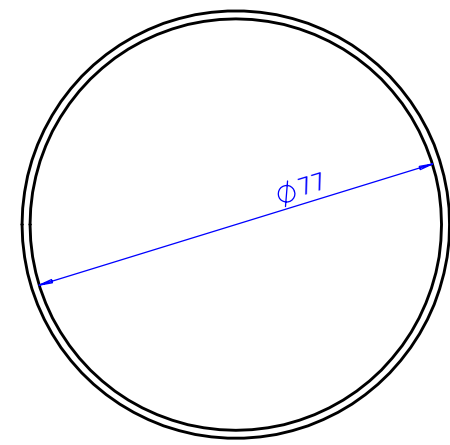
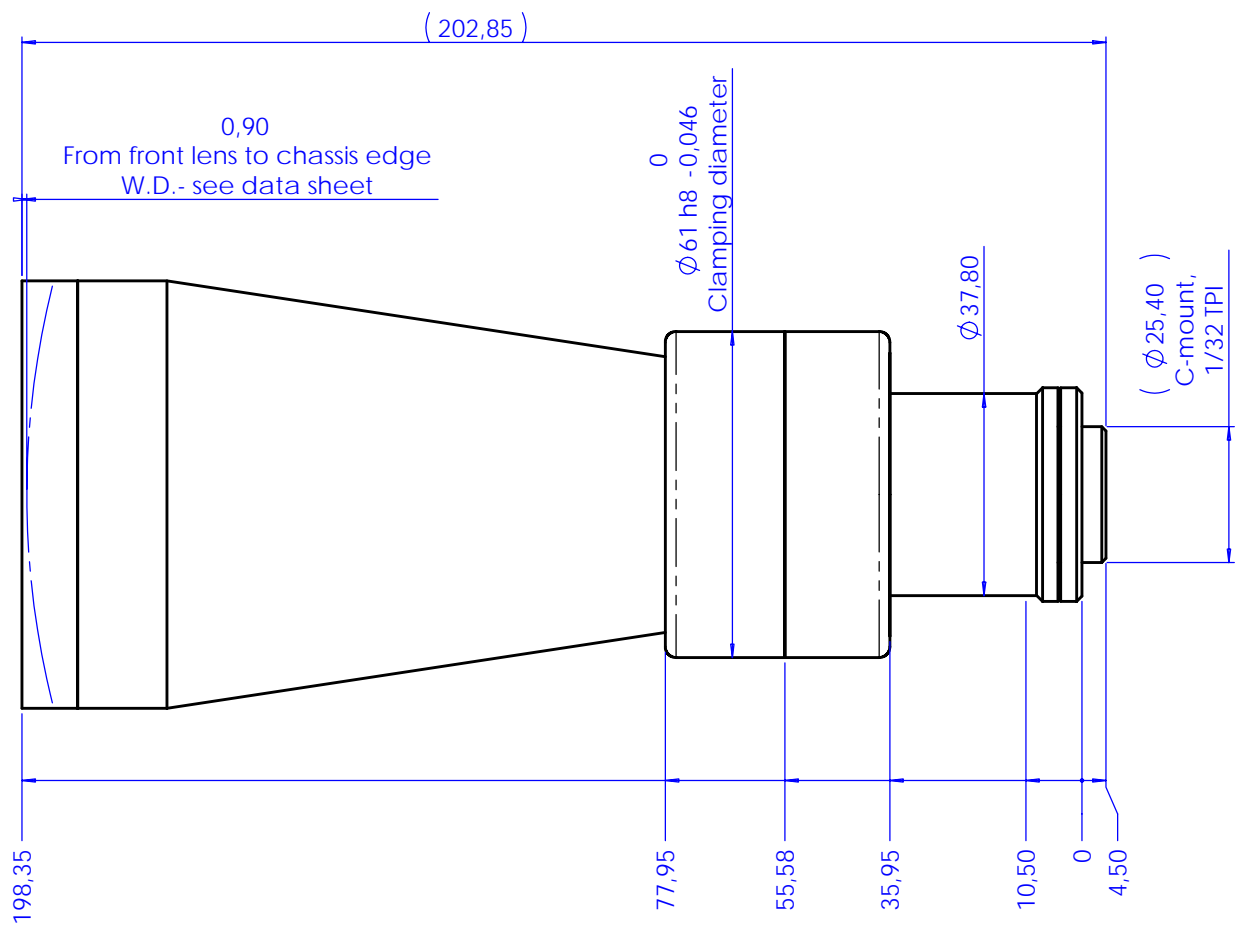


Rev No.	Description	Date	Name
A	First light	09/05/08	A.Vismara



Material	N.A.			Mass	1.0 kg	Scale	1:1
Surface treatment	N.A.			Project-Prod.Item/Instrument Telecentric lens UV 12 56			
Geometrical tolerance (ISO 2768-2)			Class	K	Description Assembly		
Linear tolerance (ISO 2768-2)			Class	m			
0.5	>3-	>6-	>30-	>120	>400-	>1000	>2000
-3	6	30	120	+400	1000	+2000	+4000
±0.1	±0.1	±0.2	±0.3	±0.5	±0.8	±1.2	±2
Undimensioned bevels			1x45°		Drawing No. 02628-0-A		
Undimensioned radii			R 0.5				
		Date	Name		Sheet		
Designed	09/05/08	A.Vismara		1/1			
Draw	09/05/08	A.Vismara					
Checked	X	C. Sedazzari					
<i>Reproduction forbidden without specific authorization</i>							