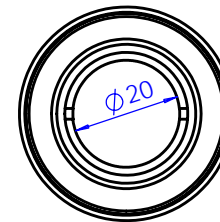
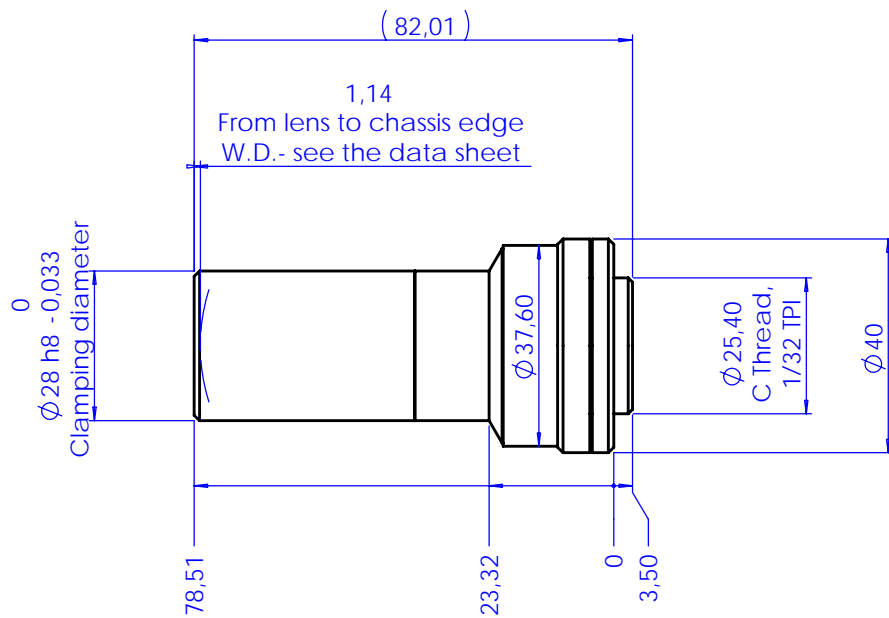


Rev No.	Description	Date	Name
A	Layout	07/06/05	A.Vismara
B	Redesign: inox C thread, brand ring	25/09/08	A.Vismara



Material	N.A.			Mass	0.175 kg	Scale	1:1
Surface treatment	N.A.			Project-Prod.Item/Instrument Telecentric lens 23 07			
Geometrical tolerance (ISO 2768-2)			Class	K	Undimensioned bevels		
Linear tolerance (ISO 2768-2)			Class	m	1x45°		
0.5	>3-	>6-	>30-	>120	>400-	>1000	>2000
+3	6	30	120	+400	+1000	+2000	+4000
±0.1	±0.1	±0.2	±0.3	±0.5	±0.8	±1.2	±2
					Undimensioned radii		
					R 0.5		
					Description ASSEMBLY		
					Drawing No.		
					02021-0-B		
					Sheet		
					1/1		
					Reproduction forbidden without specific authorization		
					www.opto-engineering.com		
					OPTO ENGINEERING S.r.l. - 46100 Mantova Italy - Via Cremona, 29/2 - Tel. +39 0376 263525 - e-mai: info@opto-engineering.com - http://www.opto-engineering.com		