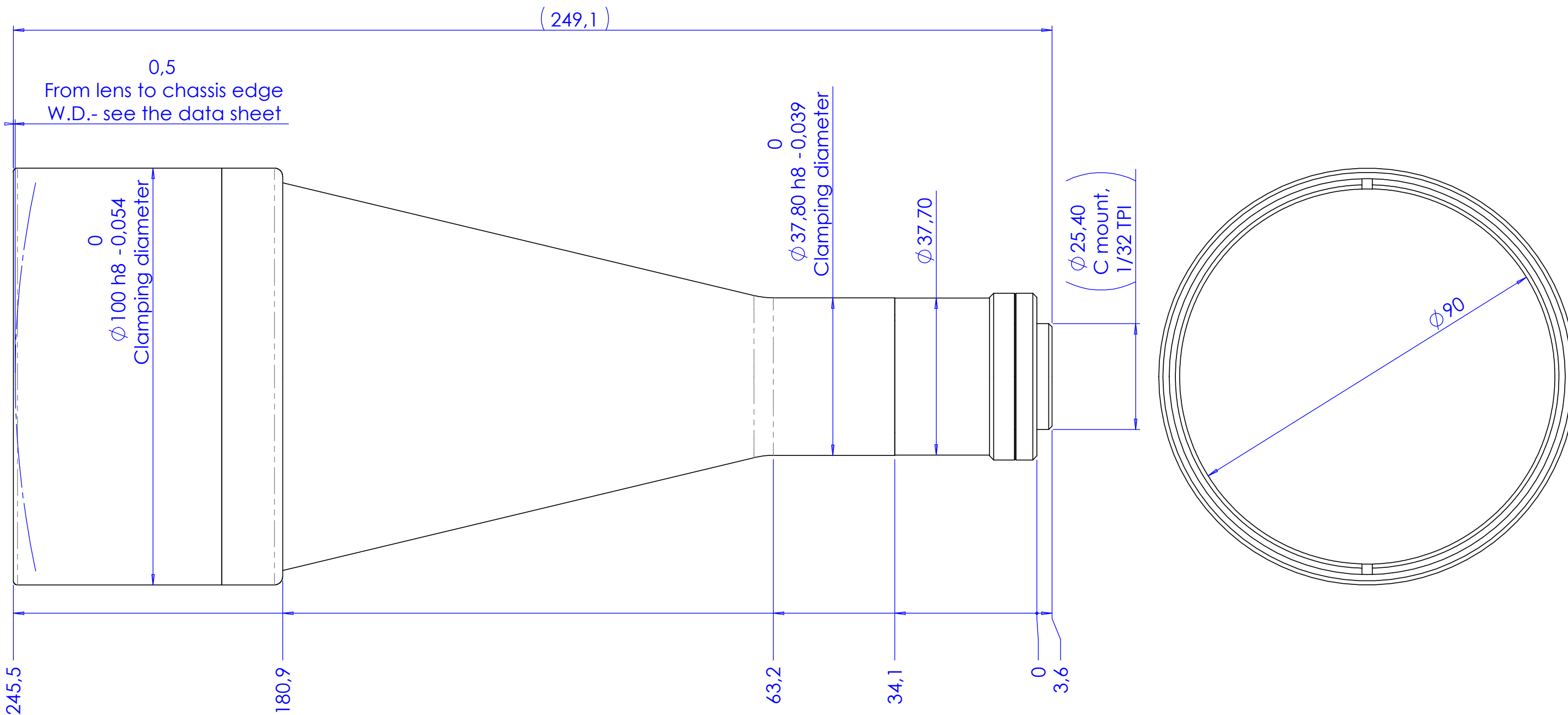


Rev No.	Description	Date	Name
A	First light	01/05/03	A.Vismara
D	Redesign	15/02/06	A.Vismara



Material	N.A.		Mass	1.1 kg	Scale	1:1			
Surface treatment	N.A.		Project-Prod.item/Instrument Telecentric lens 23 64						
Geometrical tolerance (ISO 2768-2)		Class	K	Description					
Linear tolerance (ISO 2768-2)		Class	m	Undimensioned bevels	1x45°	Assembly			
0,5 ±3	>3± 6	>6± 30	>30± 120	>120 ±400	>400± 1000		>1000 ±2000	>2000 ±4000	Undimensioned radii
±0.1	±0.1	±0.2	±0.3	±0.5	±0.8	±1.2	±2	Drawing No.	
		Date		Name		Drawing No.		Sheet	
		Designed	15/02/06	A.Vismara		01401-0-D		1/1	
		Draw	15/02/06	A.Vismara					
		Checked	x	C. Sedazzari		Reproduction forbidden without specific authorization			