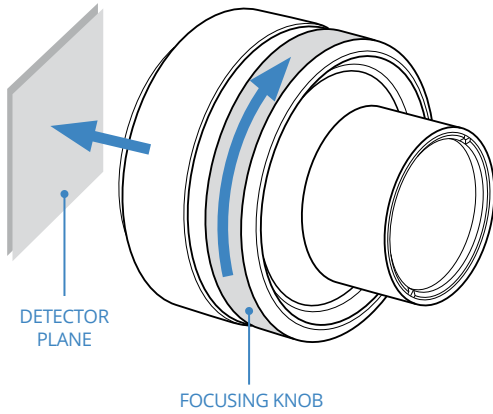


IR focusing instructions

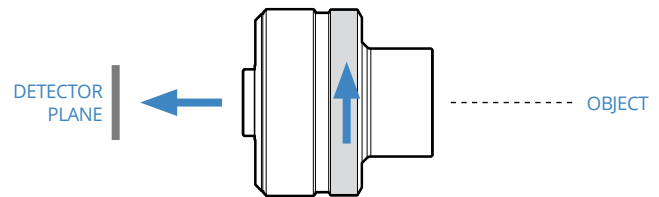
Manual focus adjustment

Rotate the focusing knob to accurately focus the object to be imaged.

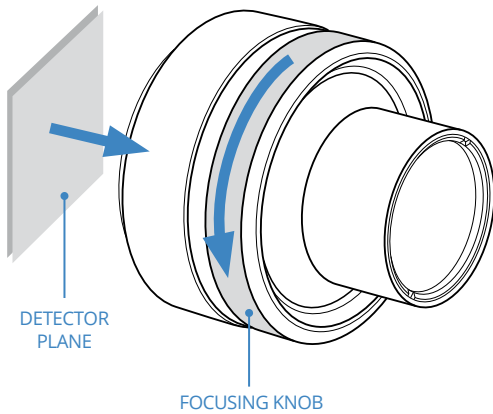
Object away from the optics:



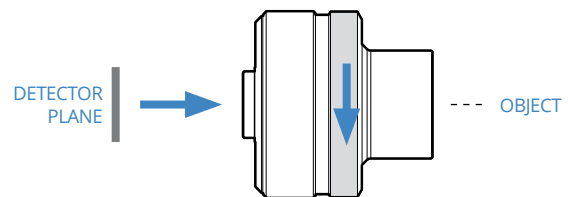
Rotate the focusing knob **counter-clockwise** to move the lenses **closer to the detector**, towards **infinity** position.



Object close to the optics:



Rotate the focusing knob **clockwise** to move the lenses **away from the detector**, and focus objects **closer to the optics**.



Once you have achieved the best focus position, lock the barrel in place by simply screwing the locking pin with an M1.5 Allen key.